


**■ Features:**

- Output constant Voltage (NFC regulation by cellphone)
- Range: 110-277VAC
- Built-in active PFC function
- Efficiency up to 93%
- Protections: short circuit/ over load/ over temperature
- Cooling by free air convection; IP66 for indoor & outdoor
- Dimming curve: Logarithmic (default) and Linear
- Dimming protocol: DALI Protocol IEC62386; PUSH-DIM
- **NFC function to adjust output voltage and set address**
- Dimming range: 0-100%, LED start at 0.1% possible
- Suitable for intelligent LED lighting


**■ Specification**

Model		KV-24360-DP2	KV-36360-DP2	KV-48360-DP2
<b>Output</b>	DC Voltage	24V (24-25.5V adjust by NFC)	36V (36-38V adjust by NFC)	48V (48-50V adjust by NFC)
	Voltage Tolerance	±0.2V		
	Rated current	15A	10A	7.5A
	Rated power	360W		
	Load Regulation	±2%		
<b>Input</b>	Standby power consumption	≤0.5W	≤0.5W	≤0.5W
	Voltage Range	180-277VAC		
	Frequency Range	47 - 63Hz		
	Power Factor(Typ.)@ full load	PF≥0.98@180VAC PF≥0.95@230VAC PF≥0.95@277VAC (Full loading)		
	THD(Typ.)@ full load	≤10%@180VAC ; ≤10%@230VAC; ≤15%@277VAC		
	Efficiency(Typ.)@ full load	92%@180VAC; 93%@230VAC; 93%@277VAC		
	AC Current(Max.)	2.3A	2.3A	2.3A
	Inrush Current (Typ.)	61.6A, 50%, 268us @180VAC; 124A, 50% , 45us @230VAC 149A, 50%, 232us @277VAC		
	Leakage current	<0.5mA		
<b>Protection</b>	Short Circuit	Hiccup mode, recover automatically after fault condition is removed		
	Over Load	≤120% ,hiccup mode, recover automatically after fault condition is removed		
	Over temperature	Ambient temp. over 55°C±10°C, output will be off; recovers automatically after temp. drops.		
<b>Environ- ment</b>	Working TEMP.	-40~+70°C (see below derating curve)		
	Working Humidity	20 - 95%RH,non-condensing		
	Storage TEM.,Humidity	-40 - +80°C,10 - 95%RH		
	TEMP.coefficient	±0.03%/°C(0 - 50°C)		
	Vibration	10~500Hz, 2G 10min./1 cycle,period for 60min. each along X,Y,Z axes		
<b>Safety &amp;</b>	Safety standards	EN61347-1 EN61347-2-13 (EU) & UL8750 (US)		
	Withstand voltage	I/P-O/P:3.75KVAC I/P-FG:1.5KVAC O/P-FG:0.5KVAC (EU);		

<b>EMC</b>		I/P-O/P:1.88KVAC (US)
	Isolation resistance	I/P-O/P I/P-FG O/P-FG:100MΩ/500VDC/25°C/70%RH
	EMC Emission	EN55015 EN61000-3-2 EN61000-3-3 (EU)≥50% Load & FCC Part 15 B (US)
	EMC Immunity	EN61000-4-2,3,4,5,6 ,11, EN61547
<b>Others</b>	Weight	1.15KG
	Dimension	301*78*25.1mm (L*W*H)
	packing	390*325*185mm/20PCS/CTN G.W.:24KG/CTN
<b>Notes</b>	1. All parameters NOT specially mentioned are measured at 120VAC/230VAC input , rated load and 25°Cof ambient temperature. 2. Tolerance: includes set up tolerance, line regulation and load regulation . 3. The power supply is considered as a component that will be operated in combination with final Equipment. Since EMC performance will be affected by the complete installation, the final equipment manufactures must be-qualify EMC Directive on the complete installation again.	

### ■ Mechanical Specification

Fig.A. \_Two groups output cable (Red +,Black-)for 12VDC  
 MODEL KV-12300-DP2

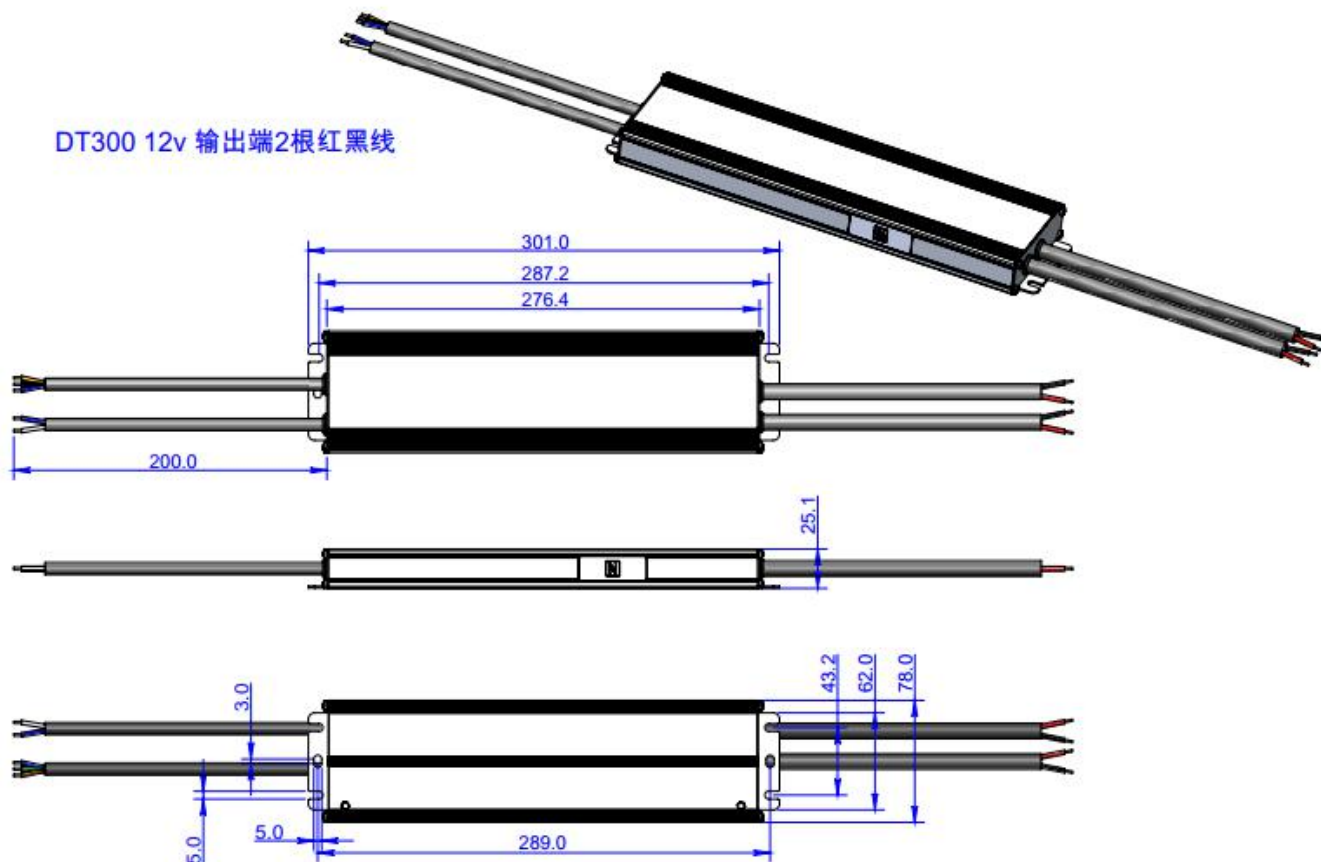
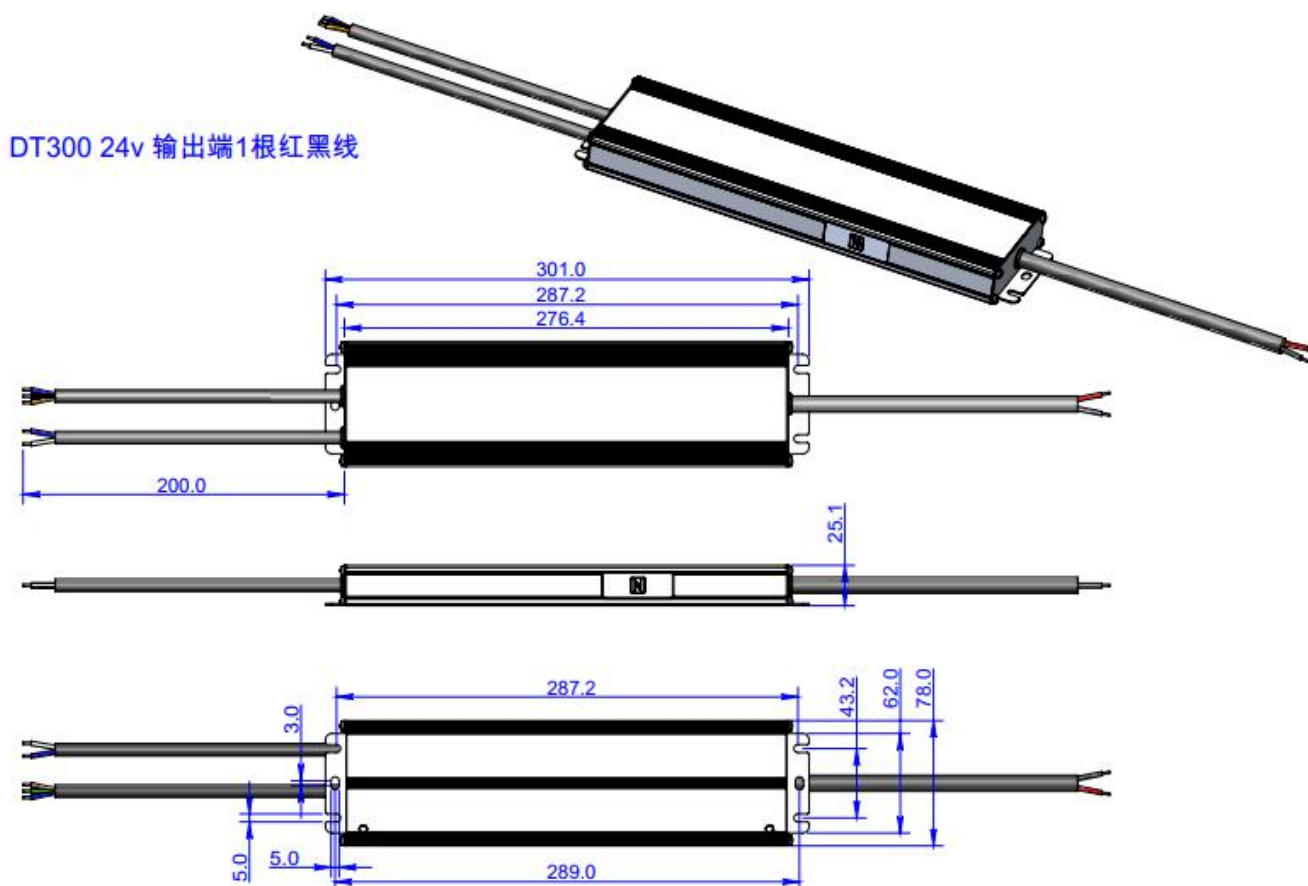


Fig.B. \_one group output cable (Red +,Black-) for 24VDC 36VDC 48VDC

MODELS KV-24300-DP2 , KV-36300-DP2, KV-48300-DP2



### Input & Output wiring

※Input Rubber cable 3\*1.0mm<sup>2</sup>, the green/yellow cable connect with (FG) ,Brown with AC (L),Blue with AC(N)

※Output rubber cable 2\*1.5mm<sup>2</sup> x2 groups for 12VDC model, Red is output ( V+) Positive, Black is output (V-) negative.

Output rubber cable 2\*1.5mm<sup>2</sup> one group for 24VDC, 36VDC, 48VDC models, Red is output ( V+) Positive, Black is output (V-) negative . Connected to LED Lamps

### Dimming wiring

※Dimming Rubber cable 2\*1.0mm<sup>2</sup>, Blue DA/N and White DA/L (No polar) connected to the DALI BUS when use DALI function .

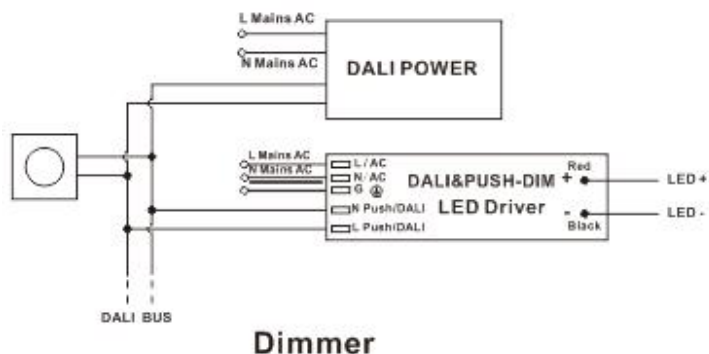
Blue (N) is connected to AC (N) while white (L) is connected to Push dim switch dimmer( L) when use Push function..

※Please make sure you connect these correctly otherwise your product will not function correctly and could be damaged.

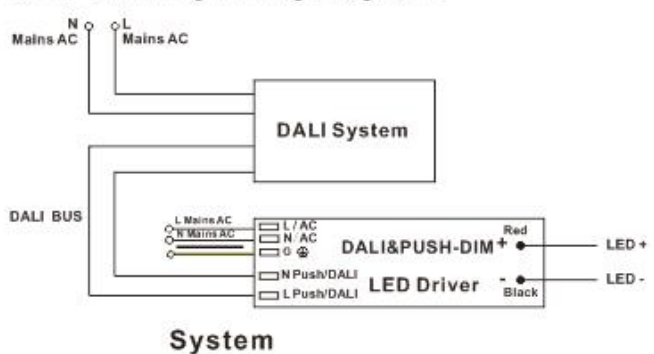
※Note: Any other requests we can customize.

**■ Dimming Operation**

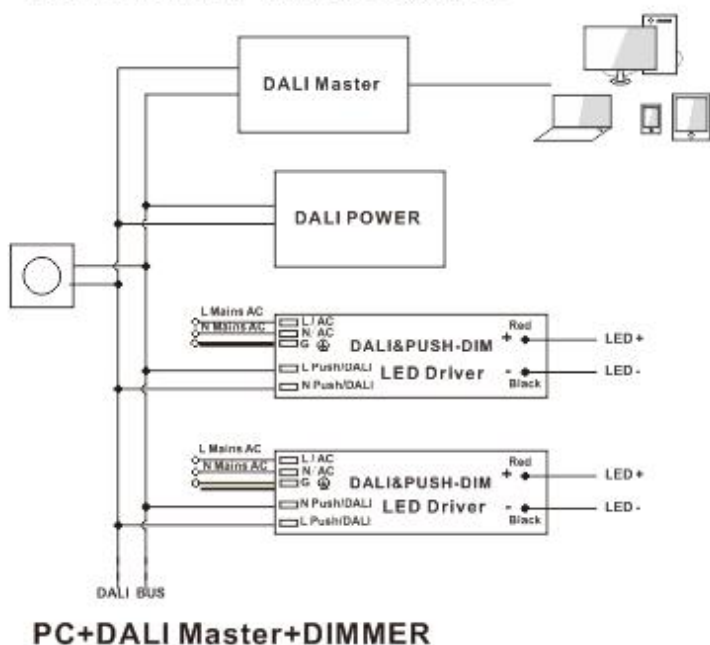
DALI Dimming Wiring Diagram1



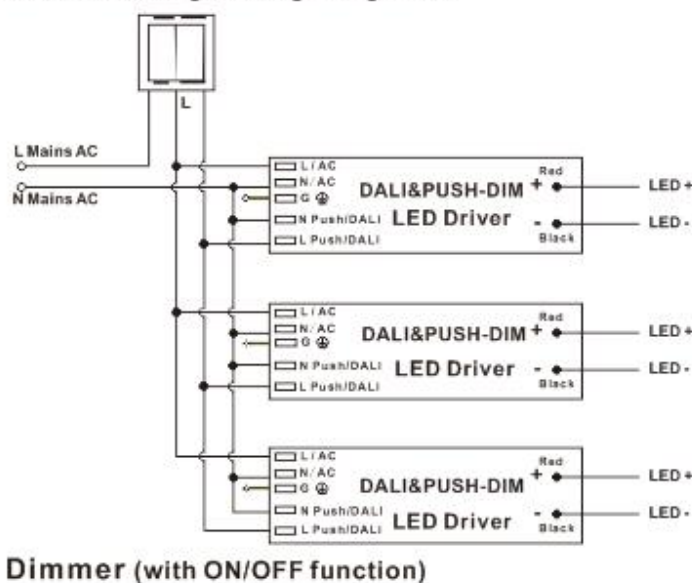
DALI Dimming Wiring Diagram2



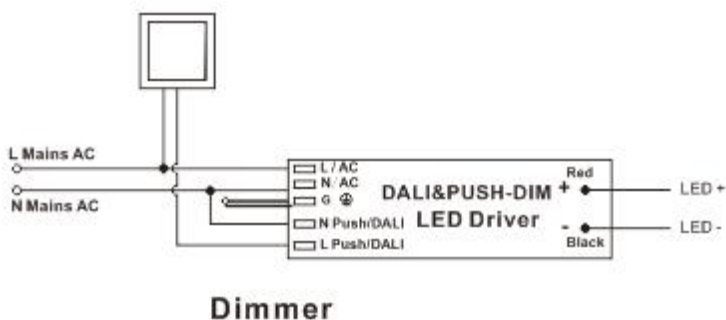
DALI Dimming Wiring Diagram3



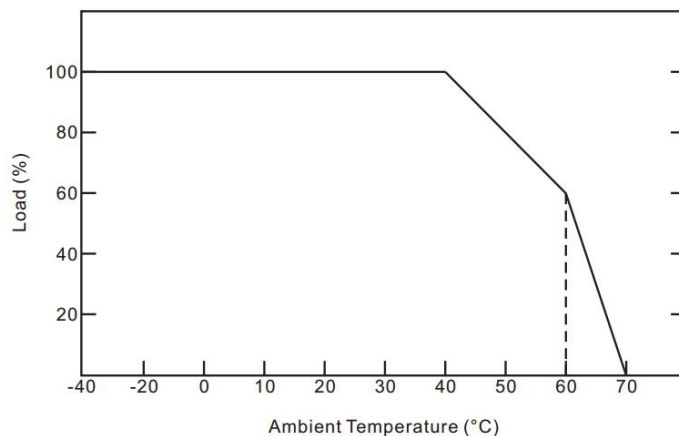
Push-Dimming Wiring Diagram 1



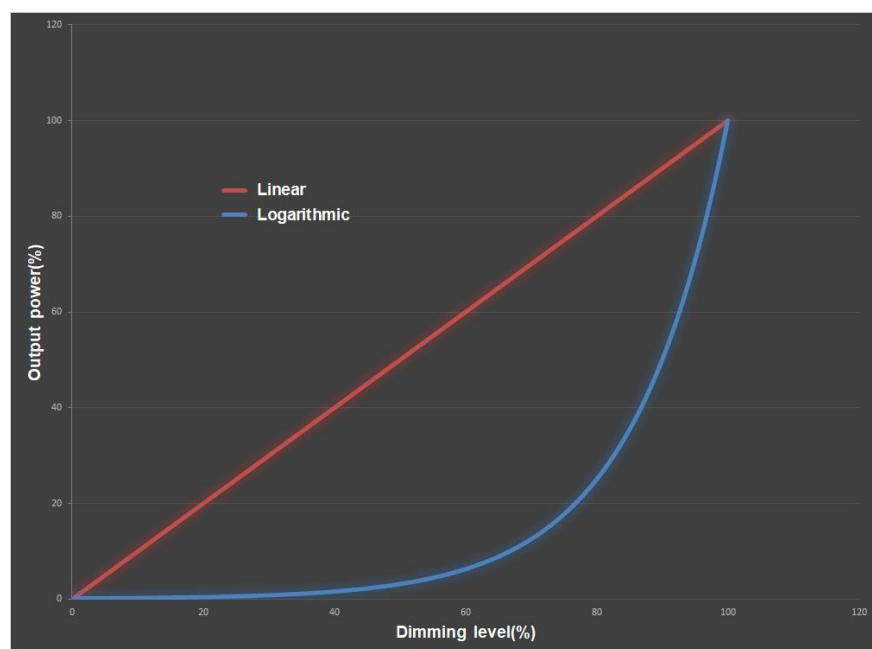
Push-Dimming Wiring Diagram2



※Note: For DALI Dimming Wiring Diagram 3, please noted that only one DALI power is need in the DALI bus, so no extra DALI power is needed if the Master or Dimmer already includes the DALI Power.

**Derating Curve**


※To extend their life, please refer to the Derating Curve and derate according to the temperature.

**Dimming Curve**


Note: Dimming curve: Logarithmic (default) and Linear

**Instruction:**

- 1) This driver should be installed by qualified and professional person;
- 2) Please make sure the driver is installed with adequate ventilation around it to allow for heat dissipation.
- 3) Ensure that wiring is correct before test in order to avoid light and power supply damage;
- 4) If driver Cannot work normally, don't maintain privately;